

Stabilimento / Plant
Via Bicocca, 14/C
40026 Imola (BO) - Italy
Tel. +39 0542 653441
Fax +39 0542 653601

castellini@castellini.com

Sede Legale ed Amministrativa / Headquarters
CEFLA s.c. - Via Selice Prov.le, 23/a
40026 Imola (BO) - Italy
Tel. +39 0542 653111
Fax +39 0542 653344

www.castellini.com



Due to our policy of constant technological upgrading, the technical specifications may be subject to change without prior notice.

02/2015 CELAGB151500



Puma ELI Ambidextrous Eclectic style





Fast adaptability to suit any operating style

Puma ELI Ambidextrous



Versatility and simplicity above all

Puma ELI CP Ambidextrous



Providing comfort through form and function

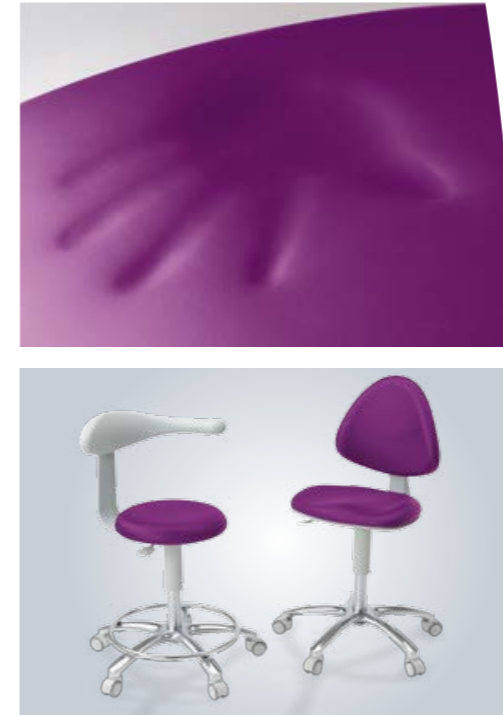
Ambidextrous Dama Patient Chair



Headrest and armrests

The headrest supplied as standard is double-jointed and features mechanical adjustment plus a sliding support. A 3-axis version with pneumatic release is available as an optional. This allows optimal positioning of the patient's head, thus improving the dentist's posture during treatment. The pneumatic release can be activated/deactivated simply by clicking on the small button located at the height of the nape of the neck.

New swivel armrests on both sides can be rotated forwards, providing patients with easier access to the seat and dentist and assistant with better access to the patient.

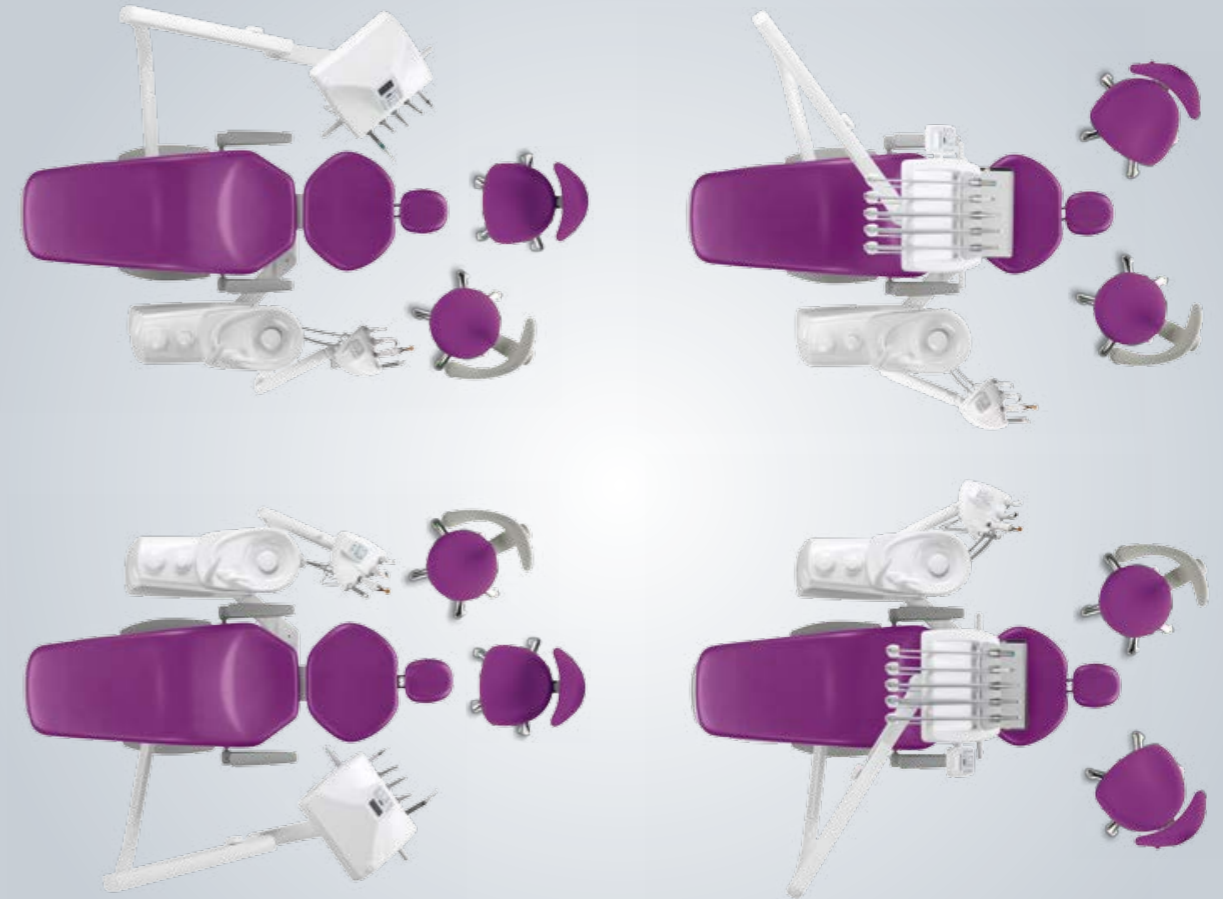


Type-approved to lift up to 160 kg, the new hydraulic patient chair provides maximum comfort. Backrest-seat synchronism follows the patient's anatomic movements smoothly, ensuring that hips and torso do not suffer the effects of any unnatural positioning. Designed also to maximise working comfort for dentist and assistant, the hydraulic system can silently move the patient chair from an above-floor height of 38 cm to 82 cm. The floor-mounted base, which incorporates a temporary suction stop function, is neatly compact, thus preventing any obstruction of the stools when dental team members need to get in close to the patient. It is possible to programme and recall 4 working positions, the patient entry/exit and rinse positions and return to the last working position. Featuring seamless elastic Skai padding, the patient chair can be lined with special padded upholstery that ensures proper anatomical support during prolonged treatment sessions. Stools are also available in colours to match those of the selected upholstery, stools feature adjustable seat height and backrest tilt (dentist) and also allow the armrest (assistant) to be switched from one side to the other. The extension kit and footrest ring are optional.

Perfect positioning for any style



The changeover can be made in just a few minutes without the aid of any tools or technicians.



Both conceptually and practically, Puma ELI offers perfect positioning. A question of working style and flexibility. Puma ELI offers a smart, practical solution for modern surgeries with two or more dentists.



Dentist's module

Compact, manoeuvrable and evenly balanced, the dentist's module can be positioned to match both the type of treatment and the dentist's operating style. To maximise the ergonomics on this model - specifically designed for both right and left-handed dentists - the instrument control panel can be positioned on either side of the dentist's module.

Carefully balanced reflex arm levers and long tubing reduce wrist strain. Moreover, extremely limited lever height ensures excellent freedom of movement of the module without interfering with the operating lamp.

A large stainless steel tray holder can be coupled to the dentist's module. To ensure flexibility and enhanced comfort it is both position-adjustable and easily removed for sterilisation purposes.

Dentist's side



The hanging tubing module is characterised by symmetrical design. Optimised vertical excursion allows the dentist to bring the instruments to the most convenient height. Just as you'd expect on an ambidextrous workstation, the dentist's module has a handle on both sides. Instruments are arranged ergonomically in an alternate-angling

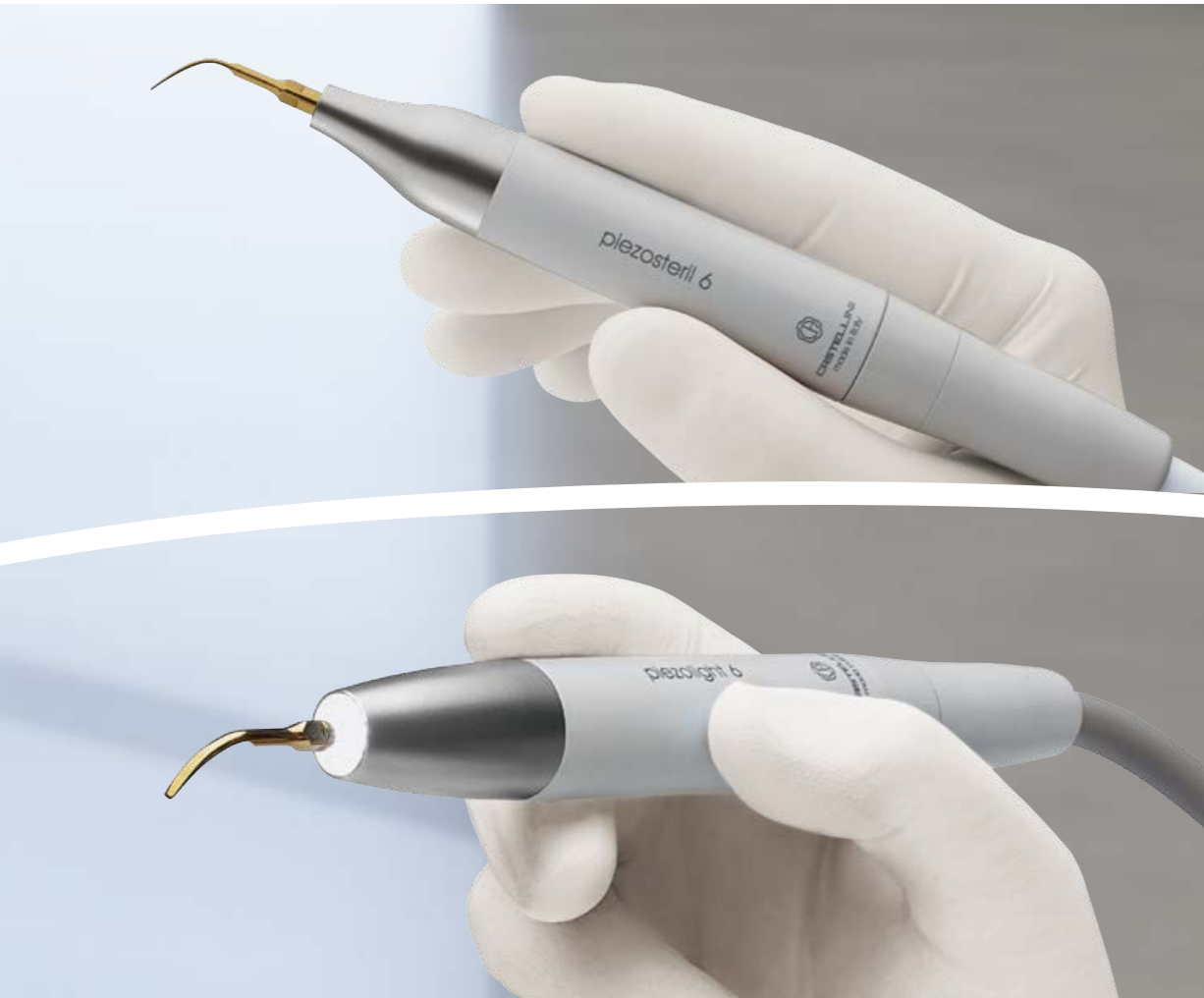
layout that makes them easier to grasp and ensures their movement is carried out safely. The tray holder rotates over the dentist's module and can be positioned above the patient. Made of stainless steel, the tray holder is an optional.

Control panel

Order and simplicity - as exemplified by the simply-arranged membrane-protected soft switch keys and large backlit X-ray viewer - provide the conditions to make work much more effective. Featuring a digital display, the control panel smoothes management of both instrument parameters and Autosteril ST and Time Flushing cycle execution times. Controls for the adjustment of micromotor and turbine speed plus scaler power all have user-friendly icons, as do the controls for the following:

- operating light on/off

- direct patient chair movement
- patient chair programming and calling up of programmed positions, rinse and patient entry/exit positions
- cup filling and cuspidor rinsing
- switch for selecting cooling liquid (mains water / separate supply system)
- micromotor rotation reverse
- fibre optic on/off
- X-ray viewer on/off



Piezosteril 6 / Piezolith 6

Versatile and multifunctional ultrasound handpieces suitable for prophylaxis, endodontics and periodontal procedures. Available with or without fibre optic for LED lighting, the handpieces offer the following performance:

- perfectly linear, controlled ultrasonic vibration (free from parasitic lateral vibration) with frequency constantly self-regulated according to load and tip condition

- extensive power adjustment range
- power is self-adjusting as a function of workload: this prevents heating of the handpiece or cooling liquids
- coolant delivery adjustable from zero to max flow rate
- completely autoclavable



Implantor LED Micromotor

Latest-generation brushless micromotor, with its low-noise operation and minimal weight, Implantor LED is vibration-free and characterized by extremely high torque and outstanding reliability. Top performance for all specialist applications. Completely autoclavable.

Micromotor features:

- 100 up to 40,000 rpm with 1:1 ratio
- electronic torque control up to 5.3 Ncm
- possibility of pre-setting maximum speed

T-LED

Lightweight, compact curing light with an exclusive design that allows use as both a direct version or 120° angled version.

Features:

- high power LED up to a maximum of 2,200 mW/cm²
- 430 - 490 nm emission band
- 6 pre-set programmes
- autoclavable light guide

Handy Power Micromotor

Handy Power is an extremely lightweight, compact brushless micromotor, available with or without LED lighting. Exceptionally quiet and vibration-free, Handy Power requires virtually no maintenance and is highly reliable thanks to brushless technology. Handy Power can be disinfected externally.

Micromotor features:

- 100 up to 40,000 rpm.
- possibility of pre-setting maximum speed

Assistant's side



Assistant's module

Fitted on a single, compact arm, the module has four housings for:

- 2 cannulae: saliva suction (large) and saliva suction (small)
- 2 optional instruments (syringe and curing light or camera handpiece)

An optional articulated arm provides even greater practicality. This high degree of flexibility ensures optimal module positioning, including height-wise, in any circumstance.

The suction tubing, extracted when in use, is supported by a removable guide that helps it slide more smoothly. The tubing can be disconnected for disinfection purposes.



The ceramic cuspidor bowl is perched on the unit body. It can be rotated within the operating area so it is easy for the patient to reach when rinsing. The dentist can choose to replace the cuspidor bowl with the rotating stainless steel tray holder module. Where access to the interior of the unit body is required, routine maintenance tasks are made easier by the fully removable side hatch. The assistant's module, equipped with a control panel featuring membrane-protected keys for patient chair, operating light, cup fill and cuspidor bowl rinse, also includes the Autosteril ST (Simple System) disinfection system start key.



Foot controls

The foot control range includes 6 models:

- ① Lateral slide Foot Control (wired/wireless)
- ② Pressure-operated Foot Control (wired/wireless)
- ③ Power Pedal Foot Control
- ④ Multifunction Foot Control

Being able to control multiple dental unit functions via the foot control demonstrates a conscientious approach to hygiene, one that has ensured the available foot-operated functions include:

- Progressive instrument activation
- spray selection
- chip air/water activation
- patient chair direct/programmed movement control
- light on/off (available on multifunction foot control)
- freeze-frame camera

Both the lateral slide and the pressure-operated foot controls are available in the wireless version. Because there are no wires the foot control can now be positioned as desired without creating any hindrance, allowing for more comfortable on-patient treatment. Lithium batteries ensure that the unit can go more than two months between recharges, in any case it is supplied with a lead for fast connection to the dental unit so that recharging can also be carried out during work.

Suction Stop device on chair base

By pressing this foot control on the chair base, suction can be temporarily suspended.

Peripheral devices incorporated on the dental unit



① Venus LED

Operating lamp with long-lasting, low-consumption LED light source plus 3-axis rotation for perfect illumination of the operating area.

Technical features:

- maximum light intensity 50,000 Lux
- colour temperature: 5,000 K
- potentiometer to adjust light intensity
- No Touch sensor to switch on and adjust
- easy-to-clean hermetically sealed front protective screen
- handles can be cleaned in an autoclave

To see which devices, among the lamps and foot controls, are supplied as standard or as an optional, please refer to the table at the end of the catalogue.

② Venus Plus

High performing operating light with rotation movement on three axes for accurate light adjustment to the oral cavity.

Technical features:

- colour temperature: 4,900 K
- adjustable light intensity from 8,000 to 35,000 Lux
- front protective screen
- removable handles suitable for cold-disinfection
- rear fan

③ Venus E

Operating light with front protective screen and rotation around 3 axes.

Technical features:

- colour temperature: 4,100 K
- light intensity up to 26,000 Lux
- removable handles suitable for cold-disinfection



Adding a new dimension to the Multimedia system

Multimedia System



Monitor Medicalview

Choosing a double-jointed arm lets dentists shift the monitor and position it within the treatment area according to their individual needs (an option particularly recommended for the touch-screen version). In addition to comfortable use for both dentist and assistant, it also ensures greater involvement of the patient when sharing the outcome of treatment via on-screen imagery.

PC connection

The monitor comes ready for connection to a PC via a lead or HDMI connector. On the touch-screen version a USB port provides a further connectivity option.



C-U2

The availability of high definition clinical images enhances diagnostic efficacy and helps keep the patient informed and involved. Being able to illustrate the need for a certain treatment or demonstrate its outcome reinforces the patient's sense of trust.

Featuring a system with 7 glass lenses and a 16:9 format HD sensor, the new incorporated video camera allows high definition images to be shown on the monitor directly without any distortion.

Maximum practicality

Designed to give easy access to distal zones, the C-U2 is thin and has a partially retroflexed 90° viewing angle. The extensive depth of field (from 5 to 70 mm) ensures outstanding image sharpness while the touch-sensitive key activates the freeze-frame without causing any vibration.

Mounted on the dental unit operating light column, the 19" LED monitor with 16:9 format waterproof screen is an excellent high-tech, ergonomic, image-based communication and diagnostic tool. Low-power LED light sources provide excellent contrast and bright colours, making images decidedly sharper. The Medicalview Monitor is Medical Device 93/42-certified.



Active hygiene devices



Hygiene systems

Supplied ready for the incorporation of scientifically proven hygiene devices, the Puma ELI design concept aims to minimise any risk of cross-contamination and is DVGW certified.

The A.C.A. spray anti-retraction system, supplied as standard on all dynamic instruments, prevents aspiration of any contaminants during the instrument stopping phase and prevents cross-contamination between patients.

Autosteril ST

To ensure rigorous disinfection of the spray water feed circuit, the Autosteril ST (Simple System) carries out semi-automatic cycles with 10-minute contact times. To start the process, the instruments must be arranged above the cuspidor bowl in the special container. The start key is located on the assistant's control panel and the progress of the disinfection sequence is illustrated on the dentist's module digital display. Castellini recommends the use of Peroxy Ag+, a disinfectant with a 3% hydrogen peroxide content which is made even more effective by the addition of silver ions that boost its biocide action.

A separate water feed system eliminates the presence of any contaminants in the water. The pressurised 1-litre container can easily be reached from the front of the unit body, allowing it to be replaced quickly.

The bottle with the grey stripe is for distilled water while the one with the yellow stripe is used for the sanitisation of spray circuits with disinfectant liquid. The latter is used for disinfection with the semi-automatic Autosteril ST system.



Protection against Legionnaire's disease

Water quality can be safeguarded by adding Peroxy Ag+ disinfectant, this provides real-time defence against bacterial contamination (e.g. Legionnaire's disease and other bacteria) and also brings about the conditions that prohibit microbial colonisation and multiplication.

Hygiene products recommended by Castellini

- Ster 1 Plus decontaminating detergent for surface applications
- Ster 3 Plus decontaminating detergent for surgical suction lines

Passive hygiene systems

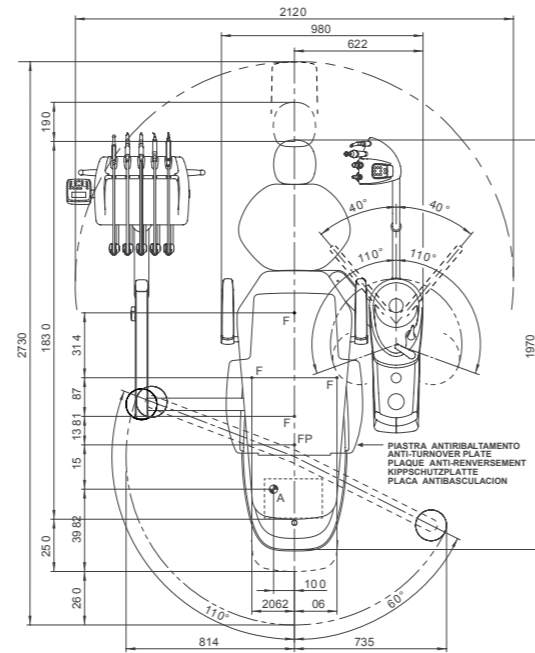
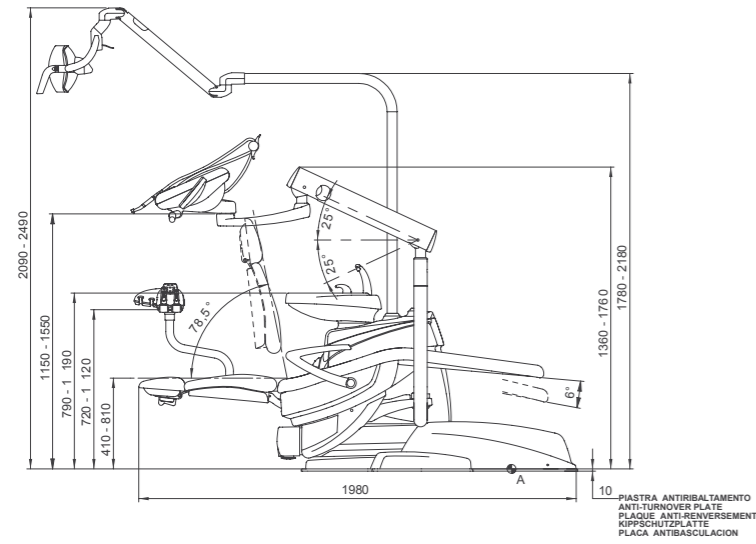


To maintain outstanding levels of hygiene on both the dental unit and in the workplace, Castellini has developed an advanced passive protection concept. Medical staff and patient alike can count on constant protection from numerous elements specifically designed to minimise any risk of contamination:

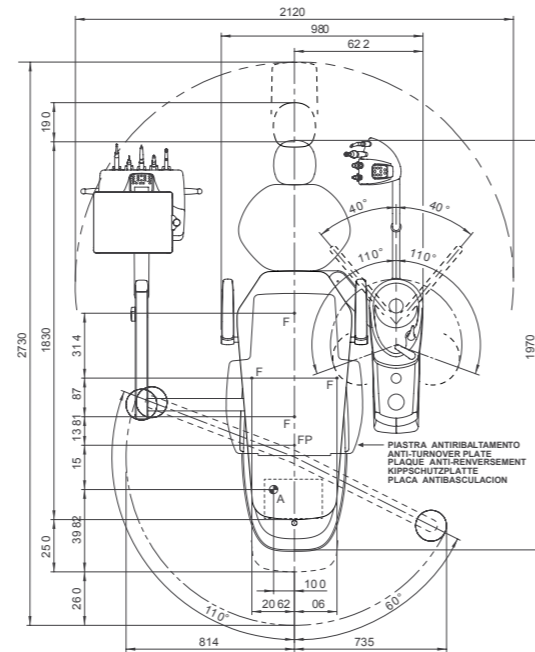
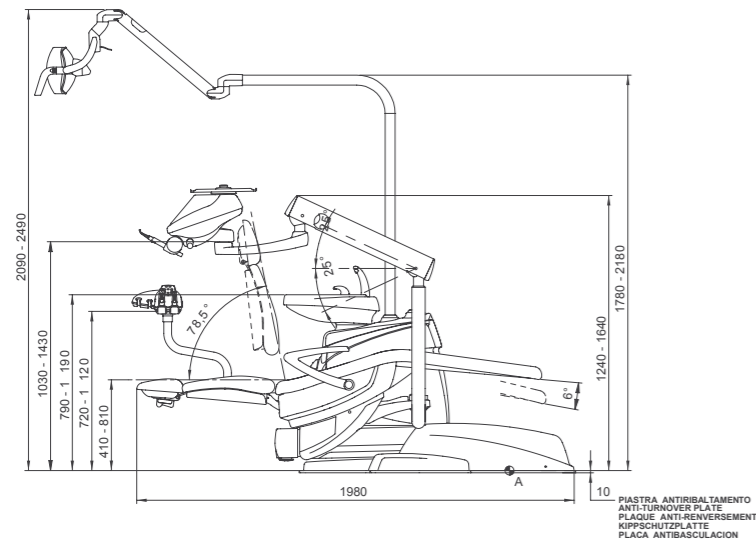
- removable autoclavable parts:
 - ceramic cuspidor bowl
 - cup-and-bowl-fill unit
 - silicone instrument support mat
 - cannulae holders

- scaler, Implantor LED micromotor and turbines are completely autoclavable
- syringe handle and tip are completely autoclavable
- removable, disinfestable dentist's module grip
- curing light with autoclavable light guide
- washable and disinfestable control panel with protective membrane
- removable, disinfestable suction tubing and slide guide
- unit and chair surfaces can be washed and disinfested
- seamless patient chair upholstery with antibacterial treatment

Puma ELI Ambidextrous



Puma ELI CP Ambidextrous



	Over-the-patient delivery system	Hanging tubes
Hygiene system		
Separate Supply System (Tank for independent water supply)	<input type="radio"/>	<input type="radio"/>
Autosteril ST (Semiautomatic system for water circuit disinfection)	<input type="radio"/>	<input type="radio"/>
Time Flushing (quick wash cycle of the water circuit)	<input type="radio"/>	<input type="radio"/>
Dentist's module		
Kit turbine complete with Silent Power Evo 2 handpiece	<input checked="" type="radio"/>	<input checked="" type="radio"/>
Kit turbine complete with Silent Power Evo 2L fibre optics handpiece	<input type="radio"/>	<input type="radio"/>
Kit turbine complete with Silent Power Evo 4L fibre optics, quick coupling handpiece	<input type="radio"/>	<input type="radio"/>
Kit turbine complete with Silent Power Evo Miniature fibre optics, quick coupling handpiece	<input type="radio"/>	<input type="radio"/>
Kit Micromotor Handy Power (100 - 40,000 rpm - 3.3 Ncm)	<input checked="" type="radio"/>	<input checked="" type="radio"/>
Kit Micromotor Handy Power LED fibre optics (100 - 40,000 rpm - 3.3 Ncm)	<input type="radio"/>	<input type="radio"/>
Kit Micromotor Implantor LED fibre optics (100 - 40,000 rpm - 5.3 Ncm)	<input type="radio"/>	<input type="radio"/>
Kit Piezosteril 6 scaler	<input type="radio"/>	<input type="radio"/>
Kit Piezolith 6 scaler with fibre optics	<input type="radio"/>	<input type="radio"/>
Kit T-LED curing light	<input type="radio"/>	<input type="radio"/>
Kit for instrument lever stops	<input type="radio"/>	-
Kit 3-way stainless steel syringe	<input checked="" type="radio"/>	<input checked="" type="radio"/>
Kit 6-way stainless steel syringe	<input type="radio"/>	<input type="radio"/>
Tray holder on dentist's module	<input checked="" type="radio"/>	<input type="radio"/>
Assistant's module		
Kit T-LED curing light	<input type="radio"/>	<input type="radio"/>
Kit 3-way stainless steel syringe	<input type="radio"/>	<input type="radio"/>
Kit 6-way stainless steel syringe	<input type="radio"/>	<input type="radio"/>
Tubing kit with fibre optic Midwest coupling	-	-
Kit Micromotor Handy Power LED fibre optics (100 - 40,000 rpm - 3.3 Ncm)	-	-
Kit Micromotor Implantor LED fibre optics (100 - 40,000 rpm - 5.3 Ncm)	-	-
Detachable and disinfectable instrument hoses	<input checked="" type="radio"/>	<input checked="" type="radio"/>
Disinfectable smooth twin-chamber suction tubing	<input type="radio"/>	<input type="radio"/>
Autoclavable suction cannulae	<input checked="" type="radio"/>	<input checked="" type="radio"/>
Assistant's module with control panel complete with control switch for chair and operating light mounted on single arm	<input checked="" type="radio"/>	<input checked="" type="radio"/>
Assistant's module with control panel complete with control switch for chair and operating lamp mounted on double articulated arm	<input type="radio"/>	<input type="radio"/>
Operating lamp		
Venus E Lamp	<input checked="" type="radio"/>	<input checked="" type="radio"/>
Venus Plus Lamp	<input type="radio"/>	<input type="radio"/>
Venus LED Lamp	<input type="radio"/>	<input type="radio"/>
Unit body		
Swivel and removable ceramic bowl	<input checked="" type="radio"/>	<input checked="" type="radio"/>
Cup filler water heater	<input type="radio"/>	<input type="radio"/>
Instrument spray heater	<input type="radio"/>	<input type="radio"/>
Multimedia cables and PC connections	<input type="radio"/>	<input type="radio"/>
Auxiliary tray holder module complete with large tray on self-balancing double-jointed arm	-	-
Tray holder module in place of bowl	<input type="radio"/>	<input type="radio"/>
Patient chair		
Double-jointed headrest	<input checked="" type="radio"/>	<input checked="" type="radio"/>
Pneumatic headrest with 3-axis movement	<input type="radio"/>	<input type="radio"/>
Lateral slide foot control with joystick	<input checked="" type="radio"/>	<input checked="" type="radio"/>
Lateral slide foot control with joystick wireless	<input type="radio"/>	<input type="radio"/>
Pressure-operated foot control with joystick	<input type="radio"/>	<input type="radio"/>
Power Pedal foot control	<input type="radio"/>	<input type="radio"/>
Multifunction foot control with joystick and light switch-on	<input type="radio"/>	<input type="radio"/>
Pressure-operated foot control with joystick and spray on/off kit wireless	<input type="radio"/>	<input type="radio"/>
Padded upholstery	<input type="radio"/>	<input type="radio"/>
Left armrest	<input type="radio"/>	<input type="radio"/>
Right armrest	<input type="radio"/>	<input type="radio"/>
Quick coupling for air/water supply for external devices	<input type="radio"/>	<input type="radio"/>

● = Supplied as standard ○ = Optional - = Not available



Colour range

- 102 Atlantic blue
- 113 Pacific blue
- 106 Mediterranean blue
- 136 Indian blue
- 101 Caribbean green
- 123 Polynesian green
- 103 Nevada yellow
- 115 Scottish salmon
- 132 Blueberry violet
- 134 Japanese wisteria
- 135 Venetian red
- 130 Graphite black
- 121 Anthracite grey
- 137 Bright silver

Padded upholstery

- 197 Caribbean green
- 198 Atlantic blue
- 196 Mediterranean blue
- 195 Scottish salmon
- 199 Anthracite grey
- 193 Polynesian green
- 194 Venetian red
- 192 Blueberry violet