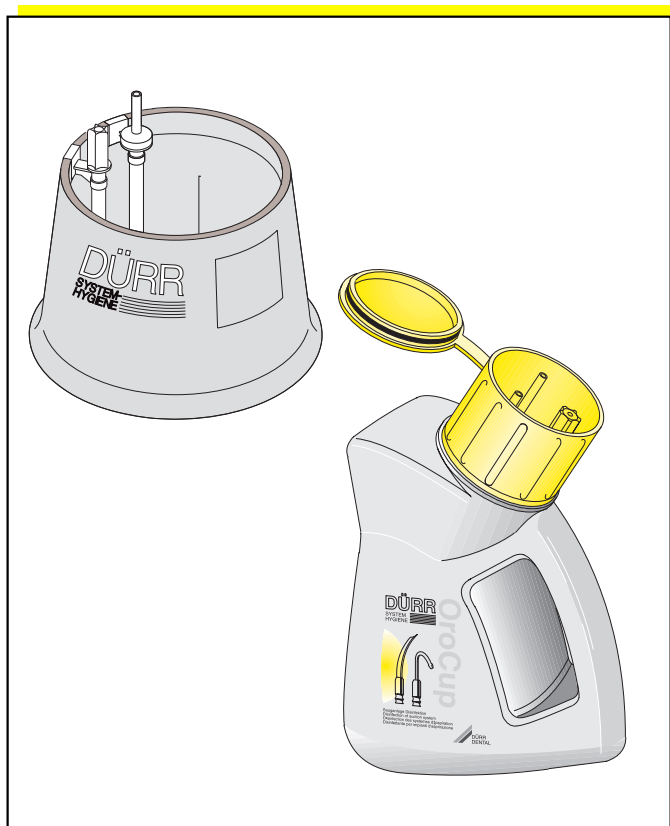


OPERATING INSTRUCTIONS CLEANING AND DISINFECTING OF SUCTION UNITS



CONTENTS



Important Information

1. Notes	3
1.1 EC Designation	3
1.2 General Information	3
1.3 General Information on Safety	3
1.4 Preventing Accidents and Injuries ...	3
1.5 Warning Indications and Symbols	3
2. Product information	4
2.1 Specified Use	4
2.2 Incorrect Use	4
3. Delivery contents	4
3.1 Cleaning and disinfecting preparations for suction units	5



Using the product

4. Cleaning and disinfecting the suction unit	6
4.1 Cleaning after each use	6
4.2 Cleaning and disinfecting before the midday break and at the end of the working day	6
4.3 Sucking up the disinfectant solution .	7
4.4 Tips for dealing with a problematic water supply	8
5. Cleaning the mouthwash basin	8



IMPORTANT INFORMATION

1. NOTES

1.1 EC Designation

- This product is not covered by EC directive specifications.

1.2 General Information

- These Operating Instructions count as part of the product and are to be kept to hand at all times. Precise compliance with these instructions is a condition of specified use.
- The Dürr Dental Company will accept no liability whatsoever for injury or damage resulting from the use of non-original spare parts or consumable items.
- The guarantee period is one year, counted from the date of delivery.
- The Dürr Dental Company will only accept responsibility for the safety, reliability or correct functioning of the product if it is used as specified in the Operating Instructions.
- Reproduction, in whole or in part, of this technical documentation requires the specific written permission of the Dürr Dental company.

1.3 General Information on Safety

- Please keep the original packaging in case the product should need to be returned. Ensure that this packaging is kept out of the reach of children. The original packaging provides the best possible transport protection should return prove necessary.
In the event of a return being required during the guarantee period, please note that Dürr Dental will not be liable for any damage in transit resulting from inadequate packing.
- This product must only be used by staff with the training or qualifications required to ensure correct operation.

1.4 Preventing Accidents and Injuries



Always wear appropriate protective gloves when handling disinfectants.



Irritant to eyes and skin.

In the event of skin contact, wash off immediately using soap and water.

In the event of eye contact, rinse thoroughly with water and seek medical attention.



Always keep disinfectants out of the reach of children.

1.5 Warning Indications and Symbols

The following symbols are used on the product packaging and in the Operating Instructions to provide easy and immediate identification of especially important items:



Instructions, regulations and prohibitions regarding the prevention of personal injury and grave material damage



Special indications regarding the efficient use of the product, and other information



Irritant for the eyes and skin. In the event of eye contact, rinse thoroughly with water and seek medical help.



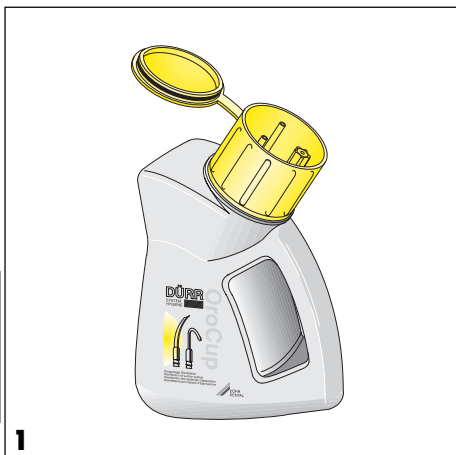
All persons handling the product should wear protective gloves.



Special cleaning product for suction units MD 555



Mouthwash basin cleaner MD 550



2. PRODUCT INFORMATION

2.1 Specified Use

The purpose of the filter holder and OroCup is to provide fast and effective mixing of high-performance cleaning and disinfecting solutions. The OroCup can contain up to two litres of solution, ready for sucking up into the system.

2.2 Incorrect Use

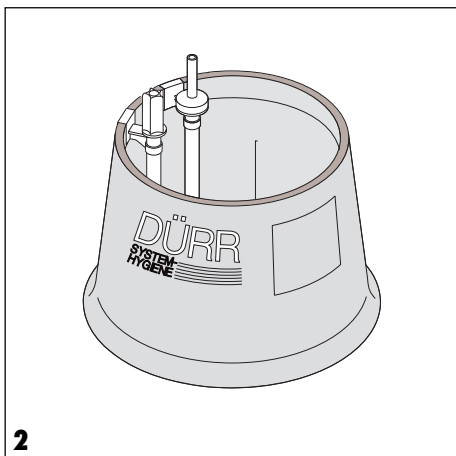
The term "incorrect use" refers to any use other than, or exceeding, specifications. The manufacturer will accept no liability whatsoever for injury or damage resulting from such use, which is entirely at the user's risk.

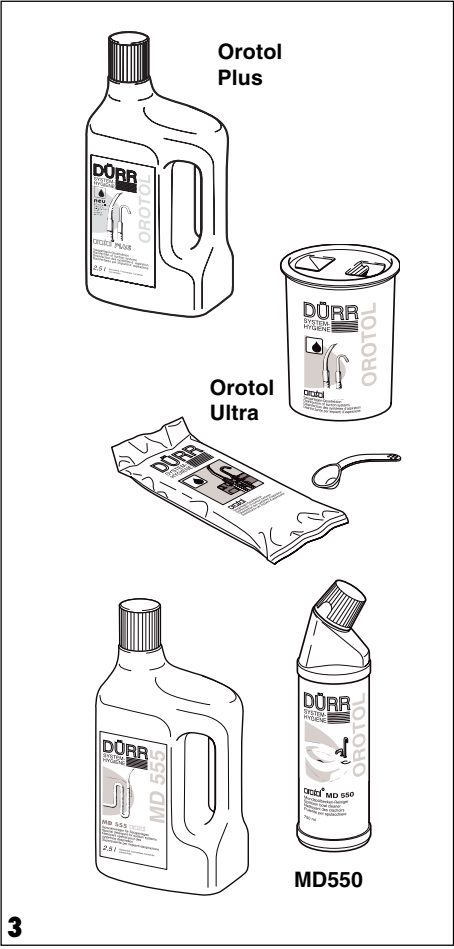


Do not use foaming products, such as domestic cleaners, disinfectants or instrument cleaning products.

3. DELIVERY CONTENTS

OroCup, Fig. 1 0780-350-00
 For the suction into the unit of 2 litres of disinfecting or cleaning solutions, e.g. OROTOL Ultra, OROTOL Plus or MD 555.
 or
Filter holder, Fig. 2 0780-300-00
 For the suction into the unit of 1 litre of disinfecting or cleaning solutions, e.g. OROTOL Ultra, OROTOL Plus or MD 555.





3

3.1 Cleaning and disinfecting preparations for suction units

Dürr suction unit disinfectants are high-performance products, which simultaneously disinfect, deodorise, clean and provide general protection for all dental suction units and mouthwash basins. They are also suitable for all amalgam traps. Carefully selected disinfecting and cleaning components provide intensive material and ecological, foam-free maintenance of the unit.

(Not supplied with unit)

OROTOL Ultra

for dry suction systems
 Basic kit 0700-075-00
 containing 2 x 500 g, 1 dispenser, 1 measuring vessel, 1 measuring spoon

OROTOL Plus

for dry and wet suction systems
 4 x 2.5 litre bottles per carton 0700-074-00

OROTOL MD 555

Special cleaning product for suction units
 4 x 2.5 litre bottles per carton 6000-072-00

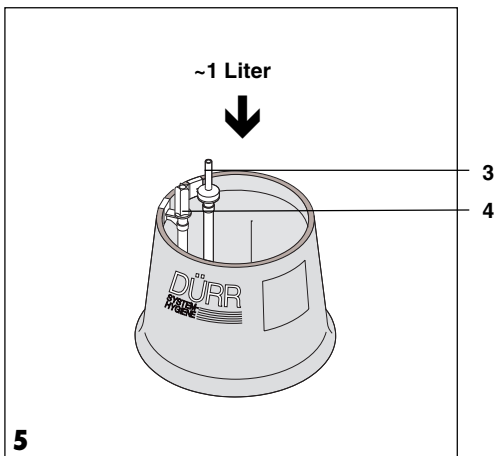
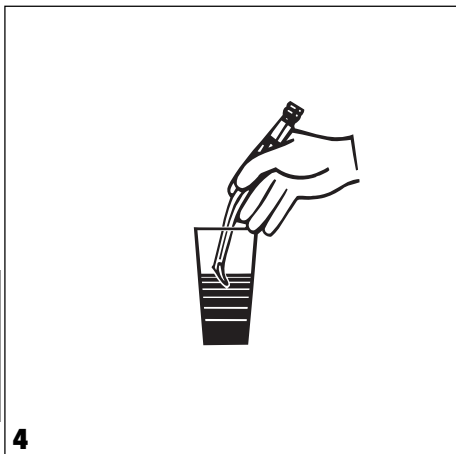
OROTOL MD 550

Mouthwash basin cleaner
 6 x 750ml bottles per carton 6000-070-00

i Cleaning and disinfecting products are supplied according to the specifications of each country of use. Please refer to the list.

GB OROTON Plus, OROTON Ultra





USING THE PRODUCT



Please refer also to the Dürre Hygiene Plan for Dental Surgeries and Clinics in accordance with UVV VBG 103.

4. CLEANING AND DISINFECTING THE SUCTION UNIT

4.1 Cleaning after each use

Suck up a glass of **cold** water into the **large** suction hose (spray mist suction tube) **and** **small** suction hose (saliva suction tube). **NB**, carry out **both** operations, even if only one of the tubes has been used.



The large suction hose also sucks up a large amount of air, thus providing a significant increase in the cleaning effect.

4.2 Cleaning and disinfecting before the midday break and at the end of the working day

- Clean the Suction unit with water
- Disinfect using the cleaning filter or OroCup

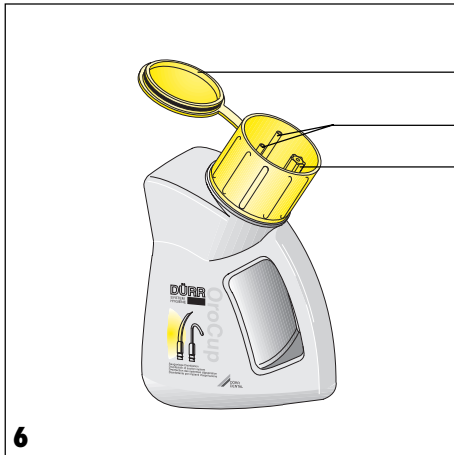


Do not prepare the disinfectant solution more than one hour before it is to be used, as it will start to lose its disinfecting properties.

Do not use any cleaning agent or disinfectant that has not been explicitly approved by Dürre Dental, e.g. use Orotol Ultra or Orotol Plus.

Using the product maintenance system

- Position the connectors for the spray mist suction tube (4) and the saliva suction tube (3), as illustrated, in the Dürre maintenance system.
- Fill the maintenance system with 1 litre of water (referring to the disinfectant instructions for the correct temperature).
- Add the specified dose of disinfectant solution (see container details). Stir well.
- Attach the suction tubes to connector (3) or (4). The connectors remain in position once they have been used for the first time.

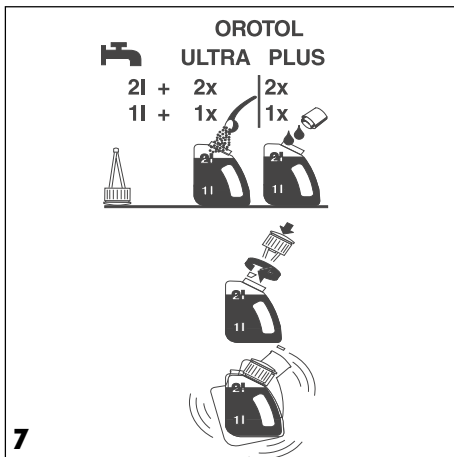


Using the OroCup

i One litre of solution is needed to clean and disinfect one suction unit. The OroCup can hold two litres of working solution. The spare litre of solution can be used, for ex., on another treatment position or for cleaning the mouthwash basin.

- Unscrew cap and, according to requirements, fill with either one or two litres of water. (Refer to disinfectant for correct temperature).
- Add the specified dose of disinfectant (see container details) and screw cap shut.
- Shake the OroCup well
- Open the sealing cap (5).
- Attach the suction tubes to the connectors in the cap, using adapters if necessary.

i If two litres of working solution are to be sucked out of the OroCup, the design of the unit means that the OroCup should be placed upright (6) for the first litre and then positioned horizontally (7) for the second litre.



4.3 Sucking up the disinfectant solution

Before sucking up the solution, please ensure that the following procedures are observed: Do not use any cleaning agent or disinfectant that has not been explicitly approved by Dürr Dental, e.g. use Orotol Ultra or Orotol Plus.

Warning: select the choice of cleaning and disinfection agents carefully!

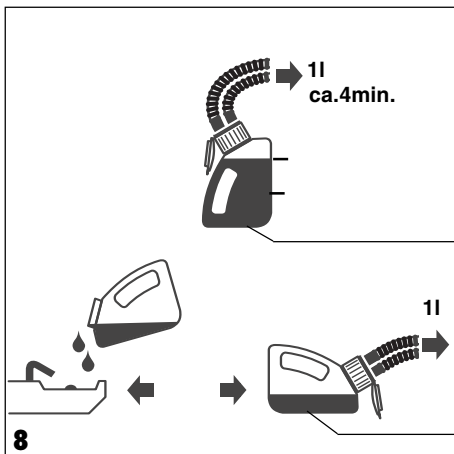
Foaming agents (household cleaning agents, instrument disinfectants, etc.), solvents (acetone, etc.), acids (formic acid, phosphoric acid, etc.), and agents containing chlorides (e.g. milking machine cleaning agents, etc.) can cause damage to the cleaning components of the suction unit.

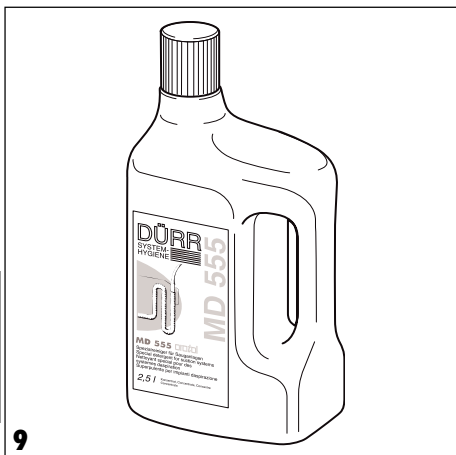
! To ensure problem-free disinfecting of the suction unit, suck up the solution via connectors (3) or (4) only.

Do not flush the system with water after the disinfectant solution has been sucked up.

This is to prevent the disinfecting effect of the solution being destroyed, and also avoids build-up of harmful deposits in the suction unit.

- Remove the suction tubes from connectors (3) or (4) and hang them once more in the tube holder.
- Allow the disinfectant solution to work for about one hour.
- The disinfecting process is now over.





4.4 Tips for dealing with a problematic water supply

If mains water is very hard or contains difficult-to-dissolve salts, or if the unit does not drain into a sloping pipe, we recommend the regular **additional** use of OROTOL MD 555 (special cleaning product for suction units).

Use:

Once or twice a week.

- MD 555 fill OROTOL maintenance system or OroCup according to instructions on pack.
- Suck up MD 555
- Leave MD 555 to work for approx. one hour.

5. CLEANING THE MOUTHWASH BASIN

- OROTOL MD 550 should be used undiluted and **as required**. (See instruction on pack). Note however that this product **MUST ONLY** be used **before** disinfecting the suction unit, when applied at the end of the working day.

